

David Goddard

6.5.1777

Mary Harman  
22.11.1827

Thomas Goddard  
28.9.1748

George 4.10.1779

Sarah White 16.2.1808

Thomas 16.2.1783  
27.11.1868

23.8.1811

Sarah Burden

Hannah 30.5.1811

Martha 22.10.1816

John 23.5.1818

Mary 15.10.1820

Sarah 28.4.1829  
25.11.1830

Thomas 16.6.1822

Eduard Bracher 30.7.1774

Jenny Philips

Mary Bracher 16.10.1787

27.7.1811

David 15.10.1780  
27.7.1870

Mary 28.2.1813

John 11.12.1814

James 29.9.1817

Edward 15.11.1818

Thomas 8.4.1821

William 20.5.1823

George 1.11.1811

Jane 4.9.1828

A.B.

Edward Gillespie

Prudence 24.6.1827

Ann 14.6.1832

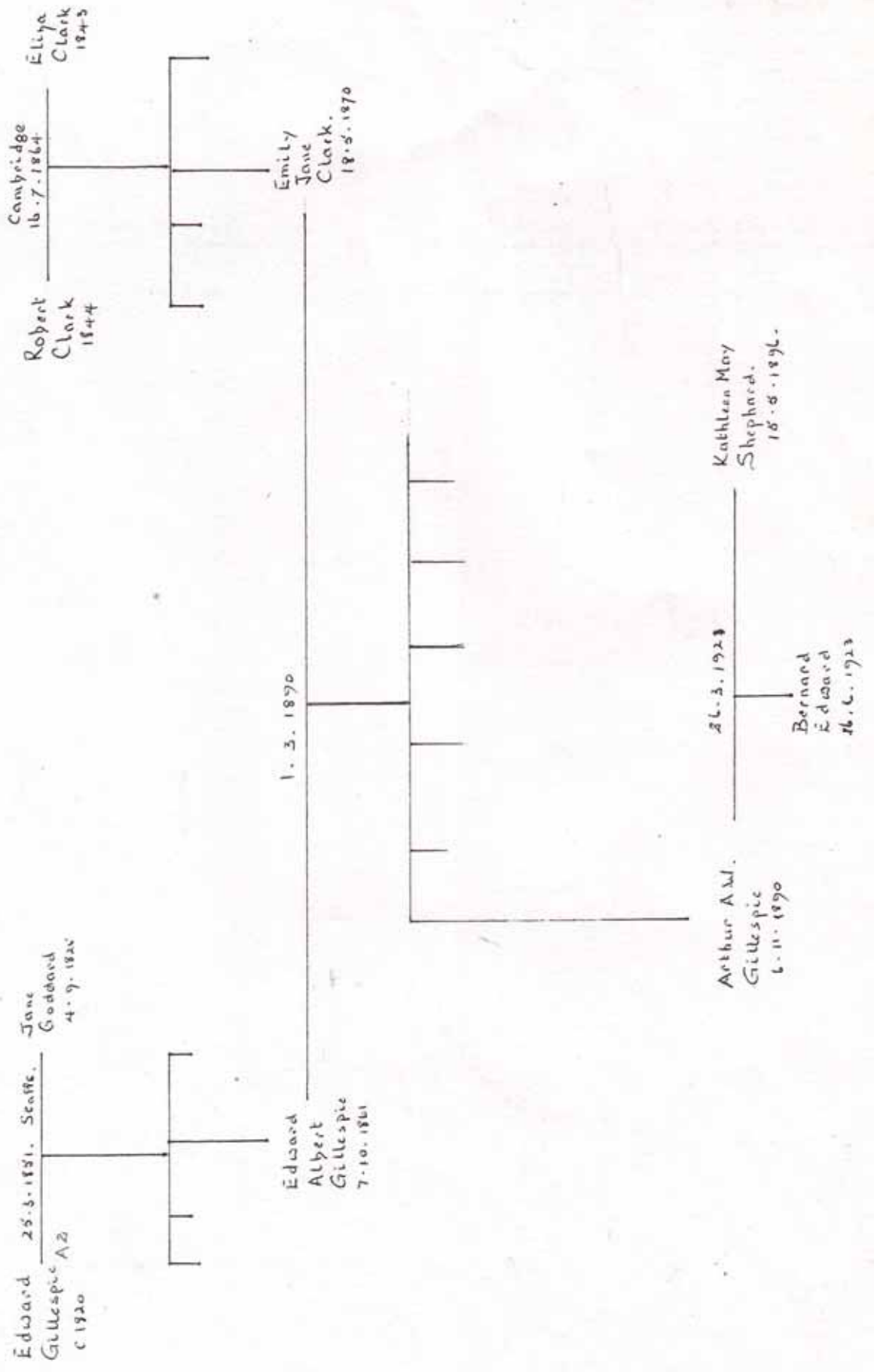
Samuel 15.9.1829

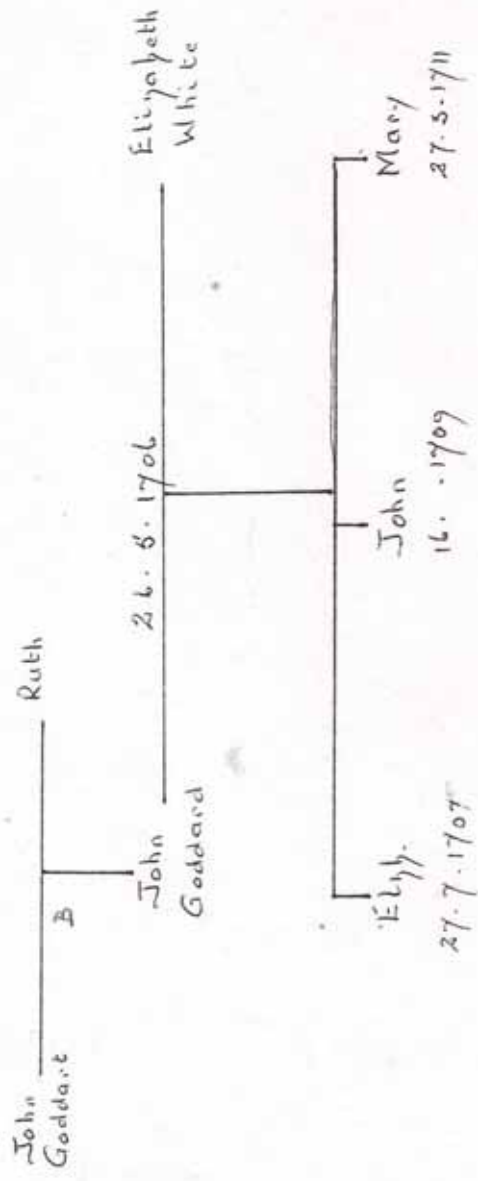
Ruth

Fredk 1863

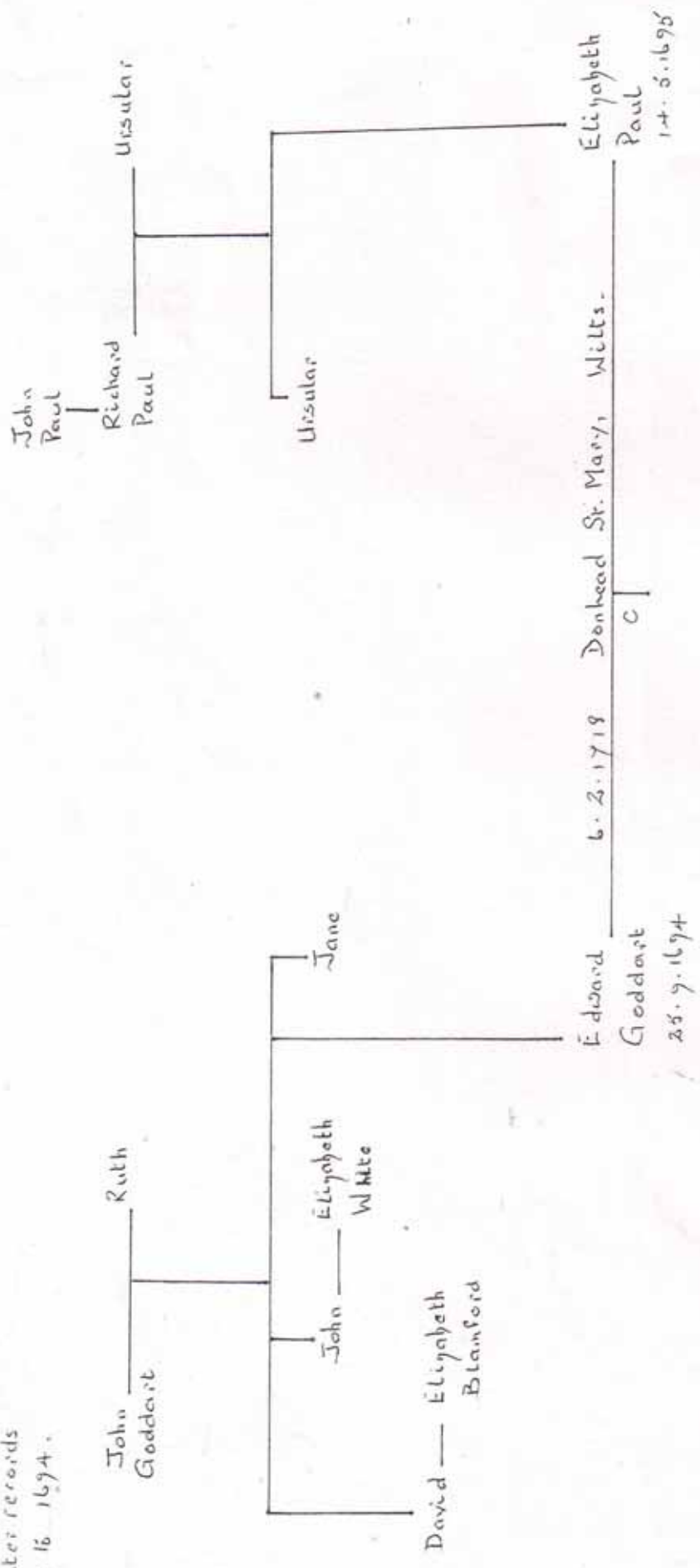
Henry 1861

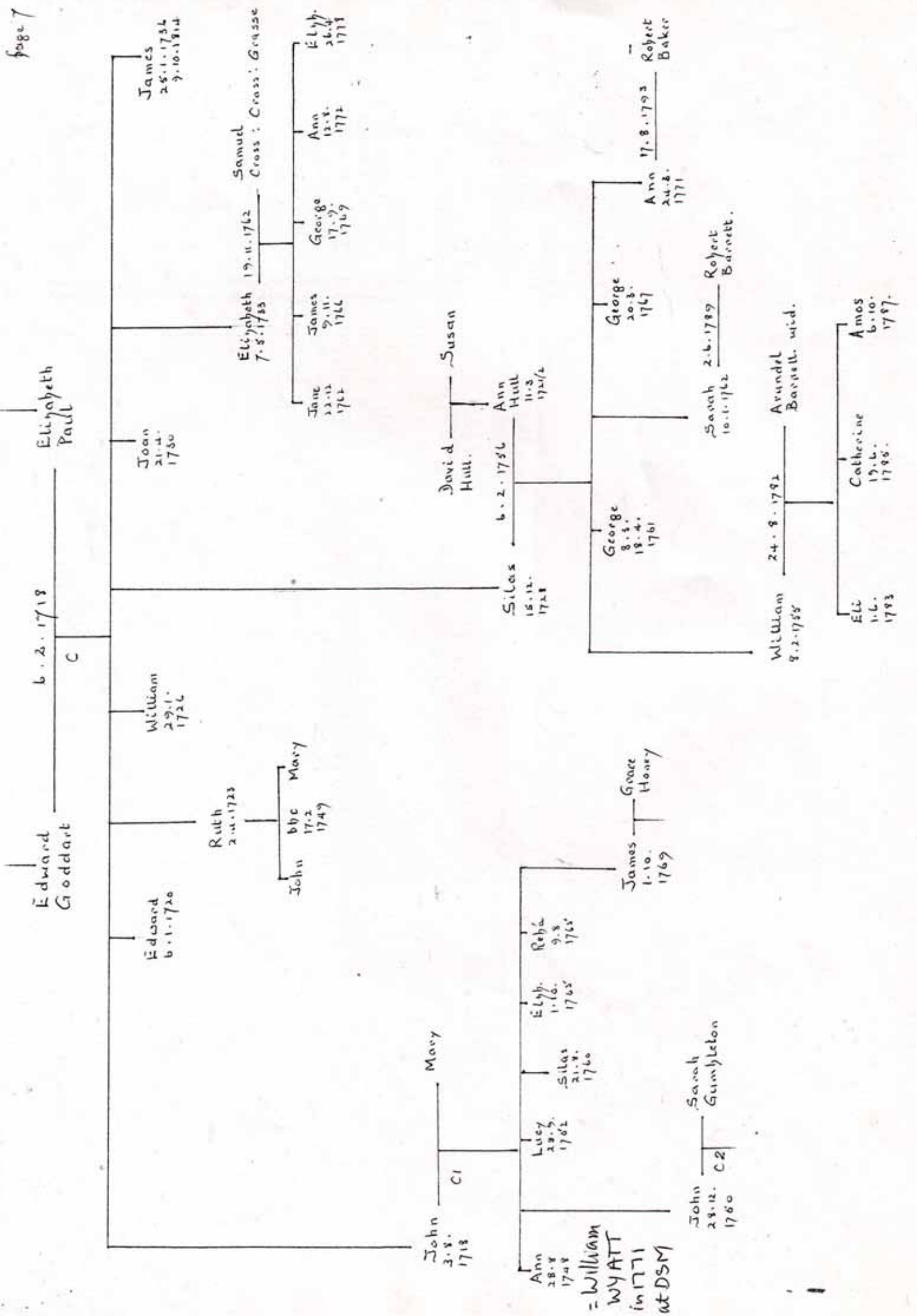
Marie 1866





Donhead St. Mary,  
Wilts. Fragmented  
register records  
Prior to 1694.





Mary

John Goddard 3.9.1719  
 Mary  
 CI  
 James Goddard 29.2.1794  
 Grace Honey 24.7.1810  
 1.10.1769

Mary 24.11.1795  
 Maria 17.9.1796  
 Mary 6.10.1799  
 Ann 9.11.1803  
 George 25.9.1805

Silas 10.7.1820  
 Ann Hasket.  
 Ann Good 11.2.1821

John Goddard 3.9.1719  
 Sarah Gumbleton 25.1.1826

James 25.6.1792

Ruth 21.5.1793  
 John 12.12.1790

John Goddard 3.6.1776  
 Sarah Gumbleton 25.1.1826  
 John Goddard CA 35.12.1750

Edward 12.10.1786  
 Sarah 24.2.1784  
 Jane 14.11.1779

Samuel 1802  
 Sophia Read 7.9.1777  
 7.2.1857

James 19.10.1810  
 Mary Ann 9.2.1820  
 James 10.11.1822  
 Sophia 26.2.1821

George Goddard 7.12.1788  
 Grace Ingram 12.2.1826  
 4.2.1811

Elysha 5.1.1822  
 Mary 5.8.1815  
 George 20.6.1813  
 Eliya 18.4.1814  
 James 2.11.1820  
 Henry 13.4.1823  
 Hannah 9.11.1825  
 Jane 1827

Robert 9.12.1916

Love Brockway  
 George 24.11.1774  
 Bastardy Order on John.

Wm 6.2.1805  
 Jane 13.5.1805  
 Luke 2.8.1807  
 John 15.9.1809

